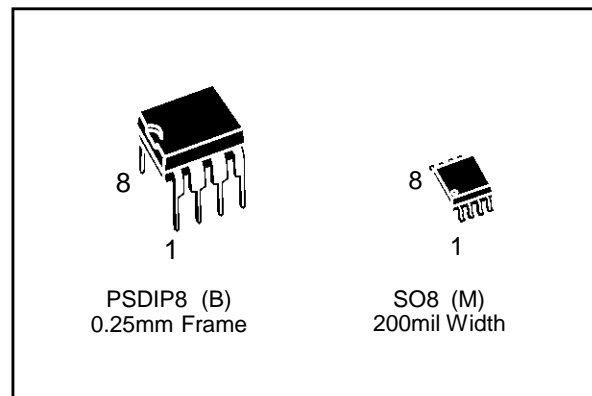


**SERIAL EXTENDED ADDRESSING COMPATIBLE  
WITH I<sup>2</sup>C BUS 64K (8K x 8) EEPROM**

**DATA BRIEFING**

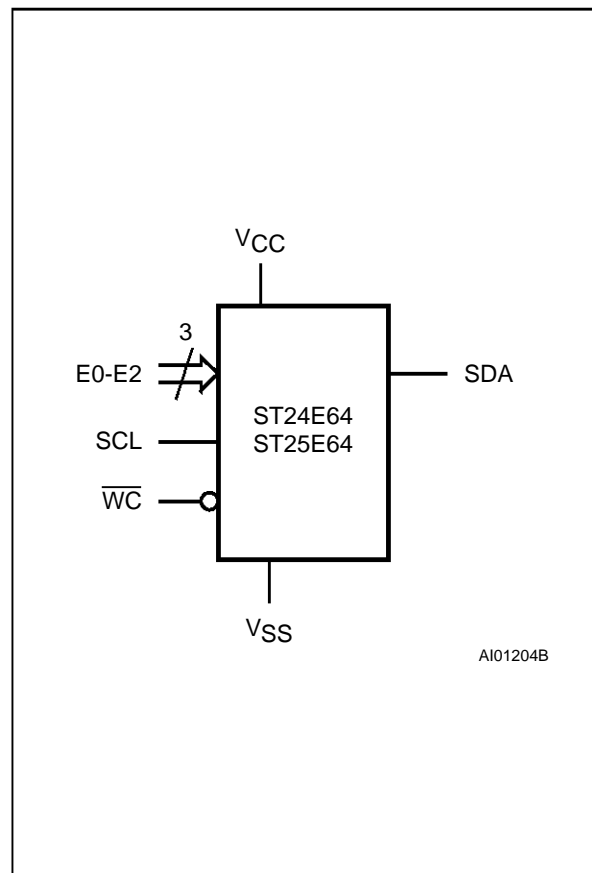
- COMPATIBLE with I<sup>2</sup>C EXTENDED ADDRESSING
- TWO WIRE SERIAL INTERFACE, SUPPORTS 400kHz PROTOCOL
- 100,000 ERASE/WRITE CYCLES, OVER the FULL SUPPLY VOLTAGE RANGE
- 40 YEARS DATA RETENTION
- SINGLE SUPPLY VOLTAGE
  - 4.5V to 5.5V for ST24E64 version
  - 2.5V to 5.5V for ST25E64 version
- WRITE CONTROL FEATURE
- BYTE and PAGE WRITE (up to 32 BYTES)
- BYTE, RANDOM and SEQUENTIAL READ MODES
- SELF TIMED PROGRAMING CYCLE
- AUTOMATIC ADDRESS INCREMENTING
- ENHANCED ESD/LATCH UP PERFORMANCES



**DESCRIPTION**

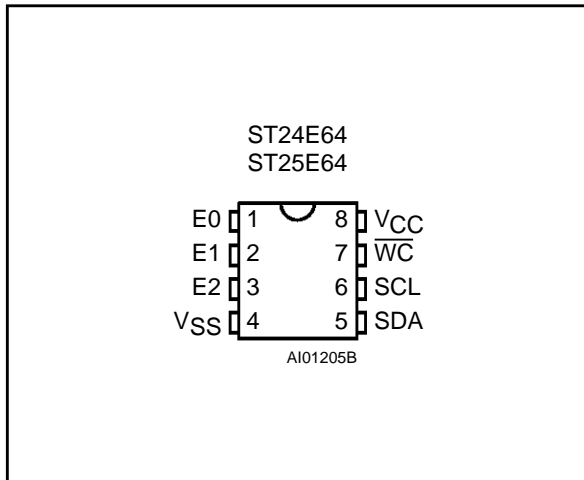
The ST24/25E64 are 64K bit electrically erasable programmable memories (EEPROM), organized as 8 blocks of 1024 x 8 bits. The ST25E64 operates with a power supply value as low as 2.5V. Both Plastic Dual-in-Line and Plastic Small Outline packages are available.

**Logic Diagram**



# ST24E64, ST25E64

## DIP Pin Connections



## Signal Names

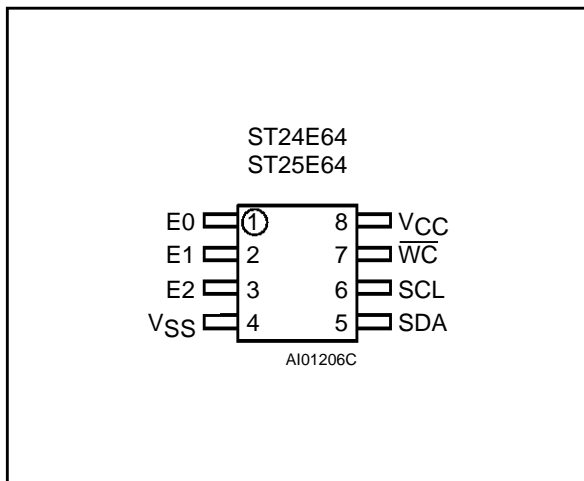
E0 - E2	Chip Enable Inputs
SDA	Serial Data Address Input/Output
SCL	Serial Clock
$\overline{WC}$	Write Control
V <sub>CC</sub>	Supply Voltage
V <sub>SS</sub>	Ground

## Ordering Information Scheme

For a list of available options refer to the current Memory Shortform catalogue.

For further information on any aspect of this device, please contact the SGS-THOMSON Sales Office nearest to you.

## SO Pin Connections



Example: ST24E64 M 1 TR

<b>Operating Voltage</b>	24 4.5V to 5.5V	25 2.5V to 5.5V
<b>Range</b>	E Extended Addressing	
<b>Package</b>	B PSDIP8 0.25mm Frame	M SO8 200mil Width
<b>Temp. Range</b>	1 0 to 70 °C	6 -40 to 85 °C 3 -40 to 125 °C
<b>Option</b>	TR Tape & Reel Packing	